

HY-BRID LIFTS™

BY CUSTOM EQUIPMENT LLC

PARTS MANUAL

SELF-PROPELLED AERIAL WORK PLATFORM

SUPO-718

REV A



HB-1230CE

SERIES III

Model HB-1230CE Serial #Ranges:
E08-30000-E08-39999

TABLE OF CONTENTS

NOTES.....	2
FOREWORD.....	3
TABLE OF CONTENTS.....	4
INDEX OF FIGURES.....	5
SECTION 1 BASE.....	6
1.1 POTHOLE GUARD PARTS.....	6
1.2 CASTER PARTS.....	7
1.3 CASTER SUBPARTS.....	8
1.4 REAR WHEEL SUBPARTS.....	8
1.5 DRIVE PARTS.....	9
1.6 DRIVE SUBPARTS.....	10
1.7 BRAKE SUBPARTS.....	10
1.8 PUMP PARTS.....	11
1.9 PUMP SUBPARTS.....	12
1.10 MISCELLANEOUS BASE PARTS.....	13
SECTION 2 CONTROLS.....	14
2.1 CONTROLS/ELECTRICAL PARTS.....	14
2.2 MAIN CABLE SUBPARTS.....	16
2.3 UPPER CONTROL PARTS.....	17
2.4 LOWER CONTROL PARTS.....	18
2.5 MASTER POWER SWITCH SUBPARTS.....	19
2.6 KEY SWITCH SUBPARTS.....	19
2.7 E-STOP SWITCH SUBPARTS.....	20
2.8 SELECTOR SWITCH SUBPARTS.....	20
2.9 HORN BUTTON SUBPARTS.....	21
SECTION 3 SCISSORS.....	22
3.1 HB-1230 SCISSORS.....	22
3.2 HB-1230 CYLINDER SUBPARTS.....	24
SECTION 4 PLATFORM & RAILS.....	26
4.1 PLATFORM & RAILS.....	26
SECTION 5 DECALS.....	28
5.1 HB-1230 DECALS.....	28
SECTION 6 OPTIONS & MISCELLANEOUS.....	30
6.1 HB-1230 OPTIONS & MISCELLANEOUS PARTS.....	30

INDEX OF FIGURES

FIGURE 1: HB-1230 Pothole Guard Parts.....	6
FIGURE 2: HB-1230 Caster Parts.....	7
FIGURE 3: 129-21-215-50-K Caster Subparts.....	8
FIGURE 4: HB-1230 Rear Wheel Subparts.....	8
FIGURE 5: HB-1230 Drive Parts.....	9
FIGURE 6: HB-1230 Drive Subparts.....	10
FIGURE 7: HB-1230 Brake Subparts.....	10
FIGURE 8: HB-1230 Pump Parts.....	11
FIGURE 9: HYDR-050-9E Pump Subparts.....	12
FIGURE 10: HB-1230 Misc Parts.....	13
FIGURE 11: HB-1230 Controls/Electrical Parts.....	14
FIGURE 12: HB-1230 Main Cable Subparts.....	16
FIGURE 13: HB-1230 Upper Control Parts.....	17
FIGURE 14: HB-1230 Lower Control Parts.....	18
FIGURE 15: HB-1230 Master Power Switch Subparts.....	19
FIGURE 16: HB-1230 Key Switch Subparts.....	19
FIGURE 17: HB-1230 E-Stop Switch Subparts.....	20
FIGURE 18: HB-1230 Selector Switch Subparts.....	20
FIGURE 19: Horn Button Subparts.....	21
FIGURE 20: HB-1230 Scissors.....	22
FIGURE 21: HB-1230 Cylinder Subparts.....	24
FIGURE 22: Platform And Rails.....	26
FIGURE 23: HB-1230 Decal Parts.....	28
FIGURE 24: HB-1230 Options & Misc Parts.....	30

1.1 | POTHOLE GUARD PARTS

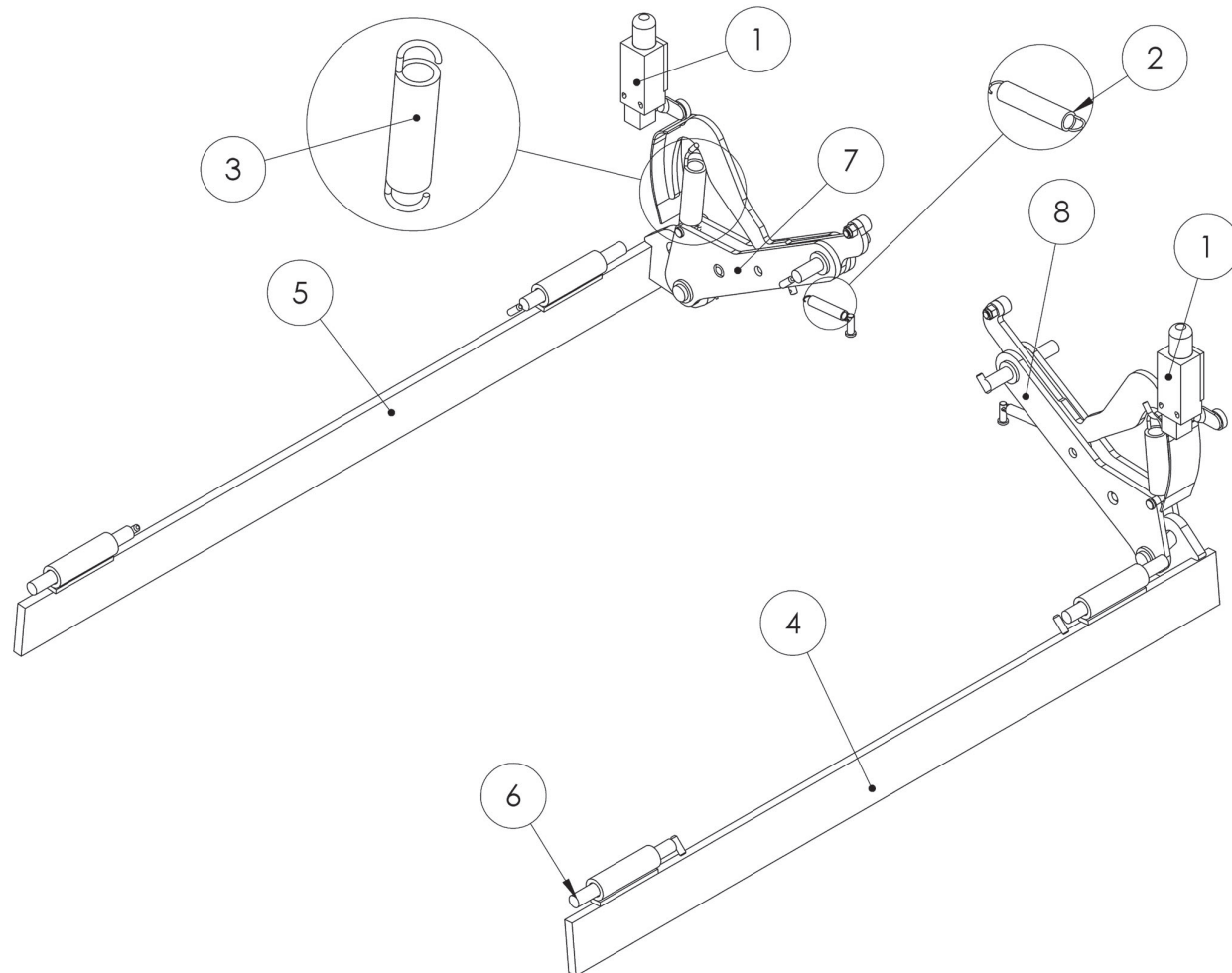


FIGURE 1: HB-1230 Pothole Guard Parts

Item #	Part Number	Part Description	Notes	Qty	Superseded By
1	ELEC-123-5	SWITCH,LIMIT,ROT LVR,NO/NC PO		2	
2	HARD-696	SPRING,EXT 2.25 X 0.38		2	
3	HARD-804	SPRING, EXT 4.0 X .81		2	
4	129-01-254-01	BASE,PH BAR L (HBMD)		1	
5	129-01-255-01	BASE,PH BAR R (HBMD)		1	
6	RND-HB-002-P	PIN,HINGE,0.50,5.0		4	
7	129-01-263-14-K	ASM,BASE PH ARM,L		1	
8	129-21-263-09-K	ASM,BASE PH ARM,R		1	

1.2 | CASTER PARTS

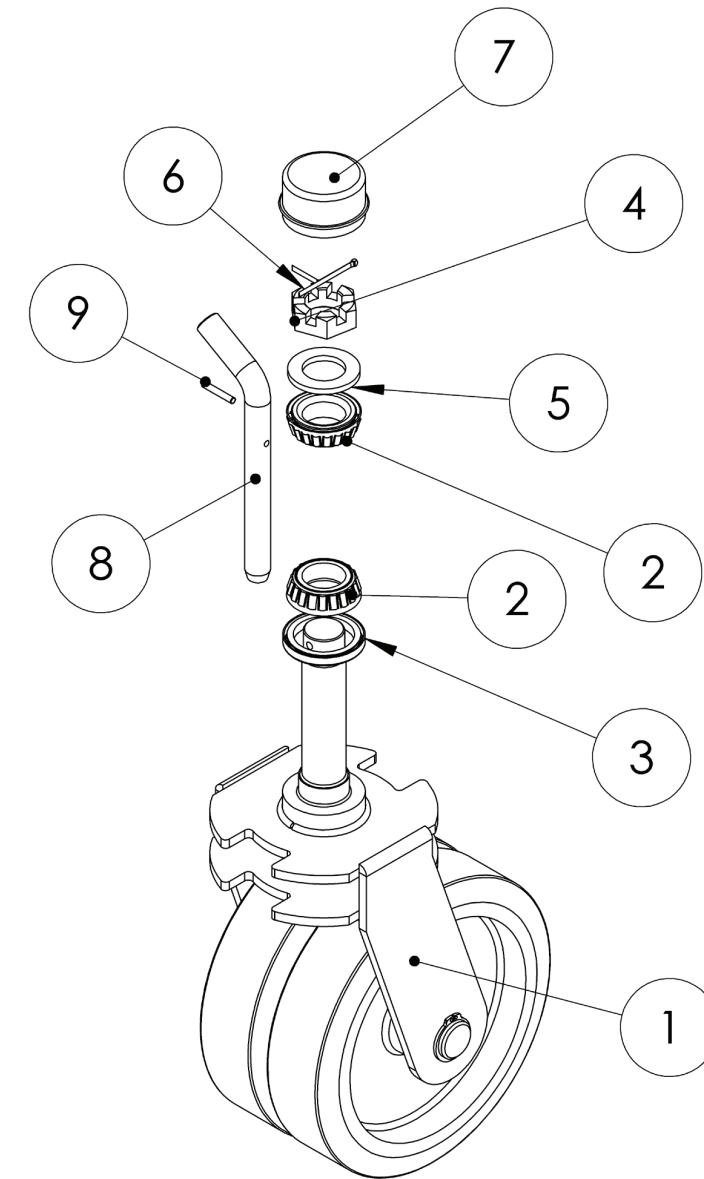


FIGURE 2: HB-1230 Caster Parts

Item #	Part Number	Part Description	Notes	Qty	Superseded By
1	129-21-215-50-K	ASM,CASTER		1	
2	WHEE-718	BEARING		2	
3	WHEE-717	SEAL		1	
4	WHEE-719	1-14 HEX SLOTTED AXLE NUT		1	
5	WHEE-716	WASHER,1.06IDX1.75ODX.155THK		1	
6	HARD-725	COTTER PIN, 3/16 X 2		1	
7	WHEE-714-100	HUB,COVER		1	
8	129-01-101-05	HITCH PIN,5/8 X 5		2	
9	129-01-102-03	COILED SPRING PIN, 5/32,1 L		2	

1.3 | CASTER SUBPARTS

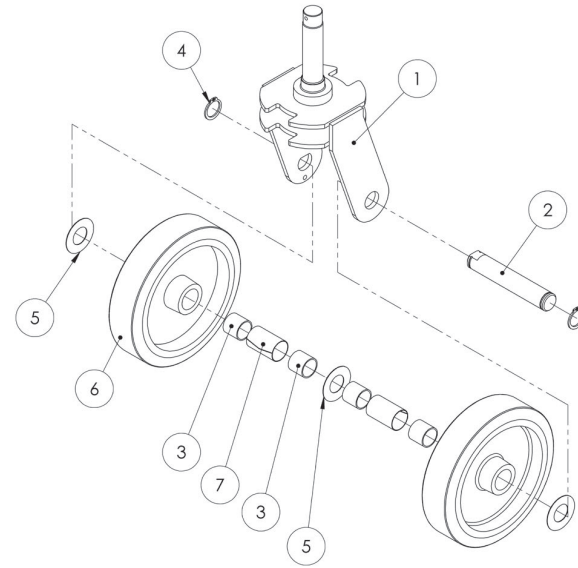


FIGURE 3: 129-21-215-50-K Caster Subparts

Item #	Part Number	Part Description	Notes	Qty	Superseded By
1	129-01-260-01	BASE,CASTER WLDMNT		1	
2	129-06-023-02	BASE,CASTER PIN		1	
3	HARD-001-2	DU BEARING,1.0 ID X 1.0 L		4	
4	HARD-021	RET RING 1.0		2	
5	WHEEL-609-SS	WASHER, 1.015ID,2OD,.03 THK SS		3	
6	WHEEL-706-KIT	WHL,8X2,GREY NM RUBBER		2	
7	WHEEL-708	WHL, RACEWAY SPLIT 2.0		2	

1.4 | REAR WHEEL SUBPARTS

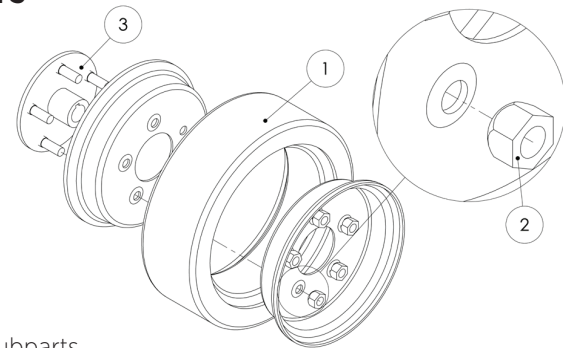


FIGURE 4: HB-1230 Rear Wheel Subparts

Item #	Part Number	Part Description	Notes	Qty	Superseded By
1	WHEEL-617	WHL,12X4,NM RUBBER		1	
2	WHEEL-721	WHL,LUG NUT 1/2-20		5	
3	WHEEL-730-02	HUB,KEYWAY 1.0,2.0		1	

1.5 | DRIVE PARTS

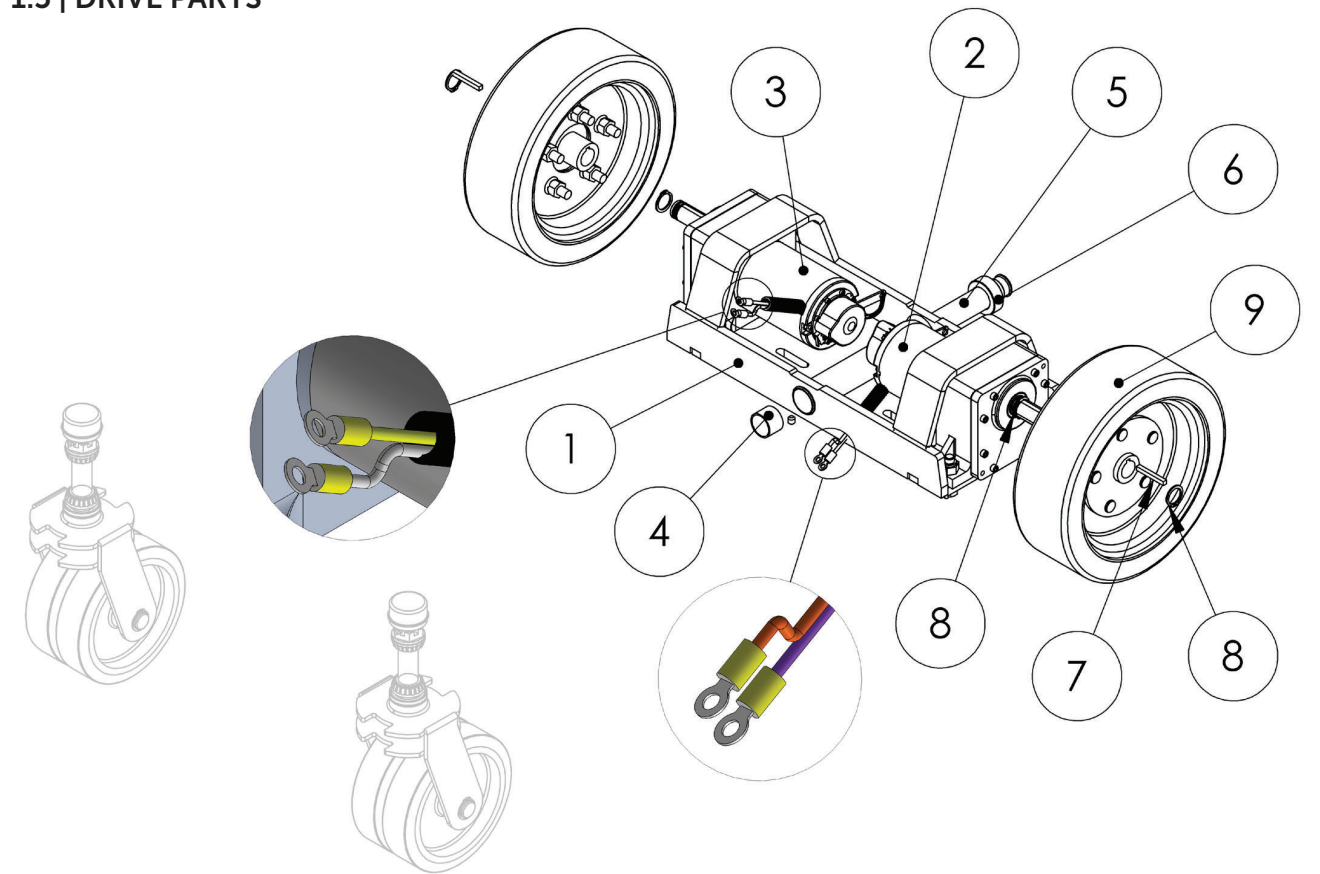


FIGURE 5: HB-1230 Drive Parts

Item #	Part Number	Part Description	Notes	Qty	Superseded By
1	129-01-381-02	BASE, REAR PIVOT		1	
2	ELEC-758-L-KIT	DRIVE MOTOR,24V ELEC,HB,DUM,L,HT	ORANGE/VIOLET LEADS	1	
3	ELEC-759-R-KIT	DRIVE MOTOR,24V ELEC,HB,DUM,R,HT	WHT-YEL/YEL LEADS	1	
4	HARD-001	DU BEARING, 1.25 ID, 1 LENGTH		2	
5	129-06-305-02	PIN,DRIVE MNT,1.25,14.06		1	
6	1021000102	SET COLLAR,1.25 ID		1	
7	HARD-157	KEY,0.25 X 0.25 X 2		2	
8	HARD-021	RET RING 1.0		4	
9	WHEEL-618-KIT	WHL,12X4 NM RUBBER W/HUB		2	

1.6 | DRIVE SUBPARTS

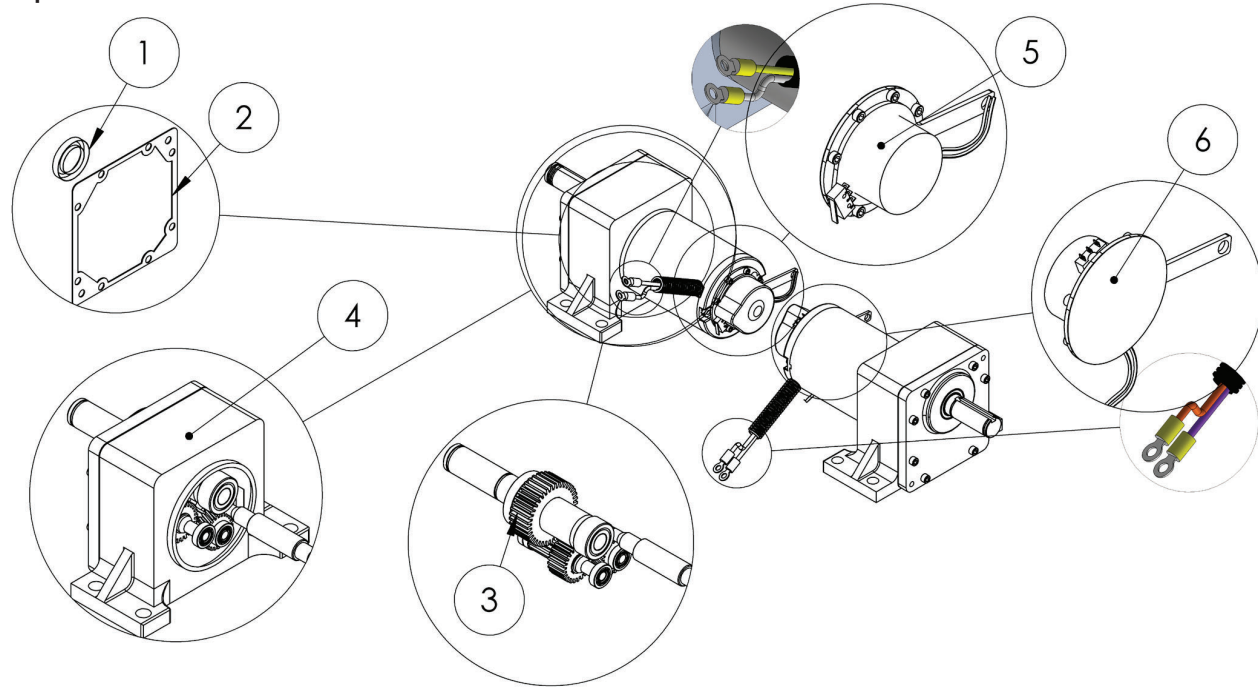


FIGURE 6: HB-1230 Drive Subparts

Item #	Part Number	Part Description	Notes	Qty	Superseded By
1	ELEC-626-4A	DRIVE MOTOR SHAFT SEAL,DUM		1	
2	ELEC-626-4B	DRIVE MOTOR HOUSING GASKET,DUM		1	
3	ELEC-758-G	DRIVE MOTOR GEARS,HB,DUM		1	
4	ELEC-758-C	DRIVE MOTOR GEARBOX,DUM HT	(NO GEARS)	1	
5	ELEC-627-5L	DRIVE MOTOR,BRAKE	RIGHT BRAKE ON HB-1230	1	
6	ELEC-627-5R	DRIVE MOTOR,BRAKE	LEFT BRAKE ON HB-1230	1	

1.7 | BRAKE SUBPARTS

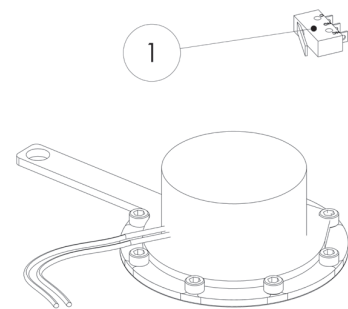


FIGURE 7: HB-1230 Brake Subparts

Item #	Part Number	Part Description	Notes	Qty	Superseded By
1	ELEC-126-7-KIT	SWITCH,LIMIT,LVR MICRO		1	

1.8 | PUMP PARTS

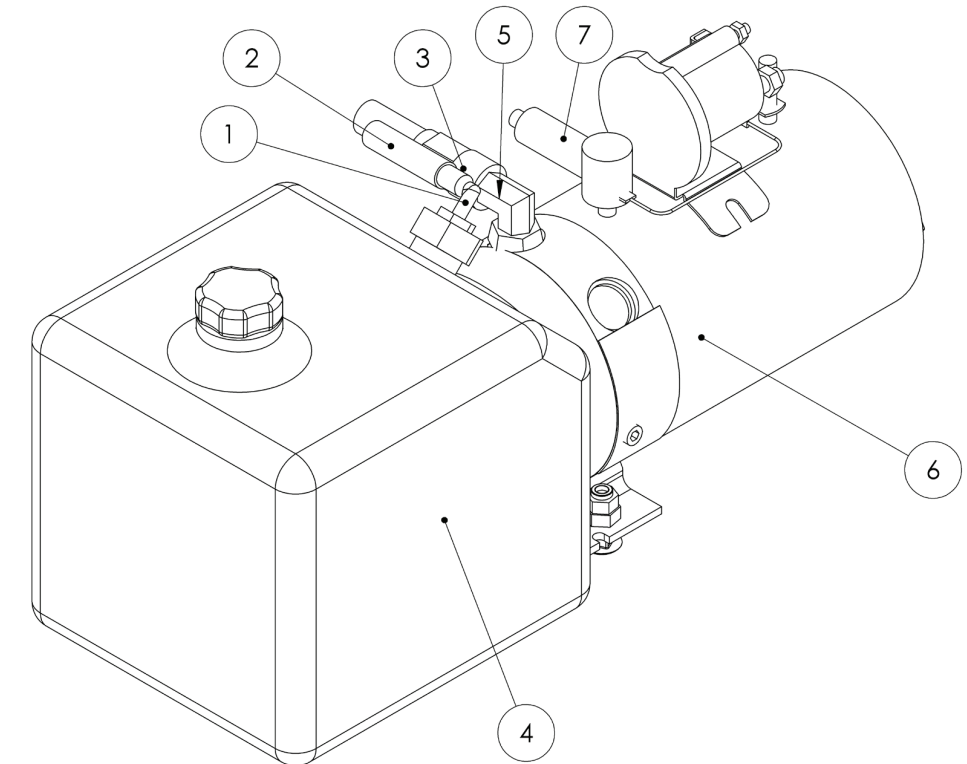


FIGURE 8: HB-1230 Pump Parts

Item #	Part Number	Part Description	Notes	Qty	Superseded By
1	HYDR-019	FITTING,ELB,NPTM 3/8-1/4 PUSH		1	
2	HYDR-022-3	LOW PRESSURE HOSE	Quantity in inches	132	
3	HYDR-600	HOSE ASM,HB-2X		1	
4	HYDR-032	HYDRAULIC OIL	Not available as a replacement part. Replace with Flomite #150, Dexron II, Mobil-DTE 2 or equivalent 32 weight implement oil.	1	
5	HYDR-677	FITNG,ELB,JICM 9/16-SAEORM #6		1	
6	HYDR-050-9E	PUMP,24VDC,0.125,0.88,NA	Entire pump	1	
7	ELEC-634D	TERMINAL BOOT (BLACK)		1	

1.9 | PUMP SUBPARTS

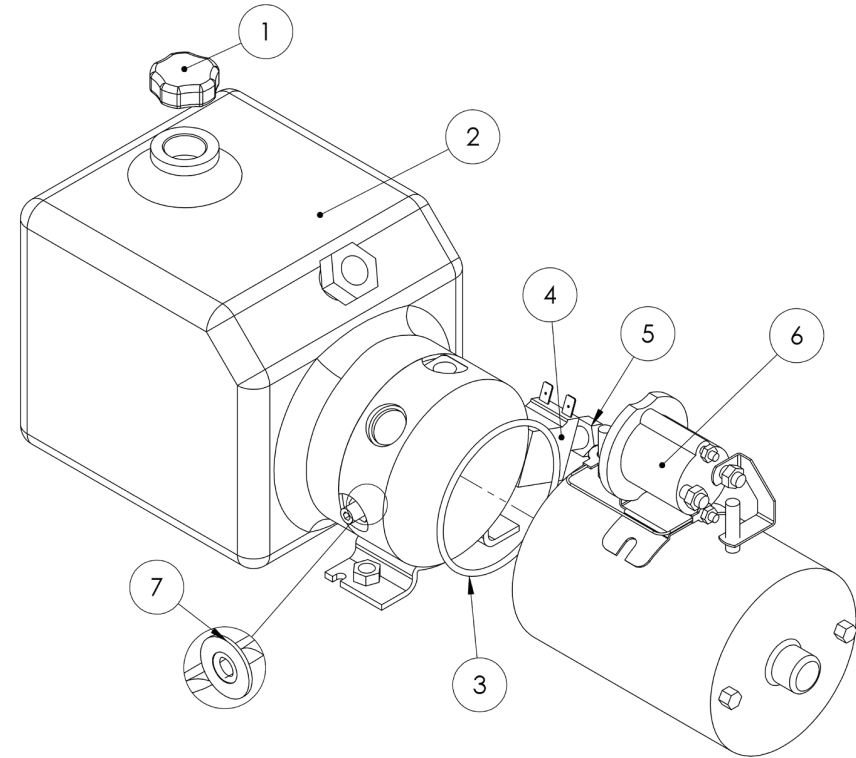


FIGURE 9: HYDR-050-9E Pump Subparts

Item #	Part Number	Part Description	Notes	Qty	Superseded By
1	HYDR-042	PUMP RESERVOIR CAP		1	
2	HYDR-067-3	PUMP RESERVOIR,0.88 GAL		1	
3	HYDR-068	PUMP RESERVOIR O-RING		1	
4	HYDR-664	COIL,18V		1	
5	HYDR-665	VALVE,NO,2W/2P,#8,UP		1	
6	HYDR-666-1	SOLENOID,24V,ISOLATED,SPST		1	
7	HYDR-667	WASH,0.38 ID,0.75 OD,PRES SEAL		1	

1.10 | MISCELLANEOUS BASE PARTS

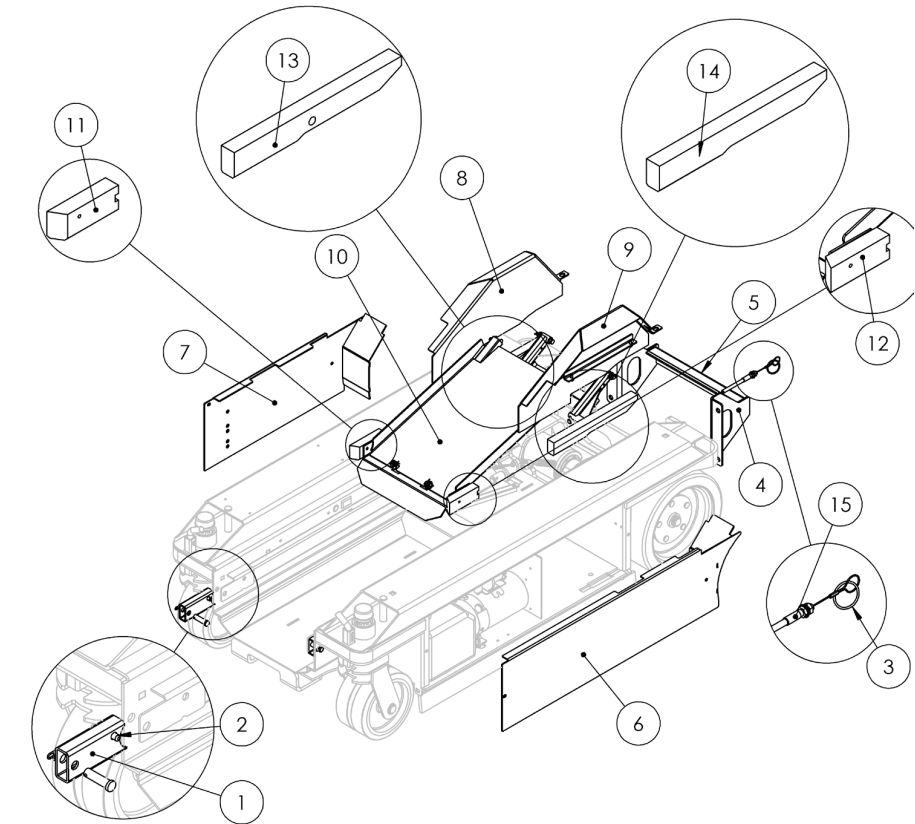
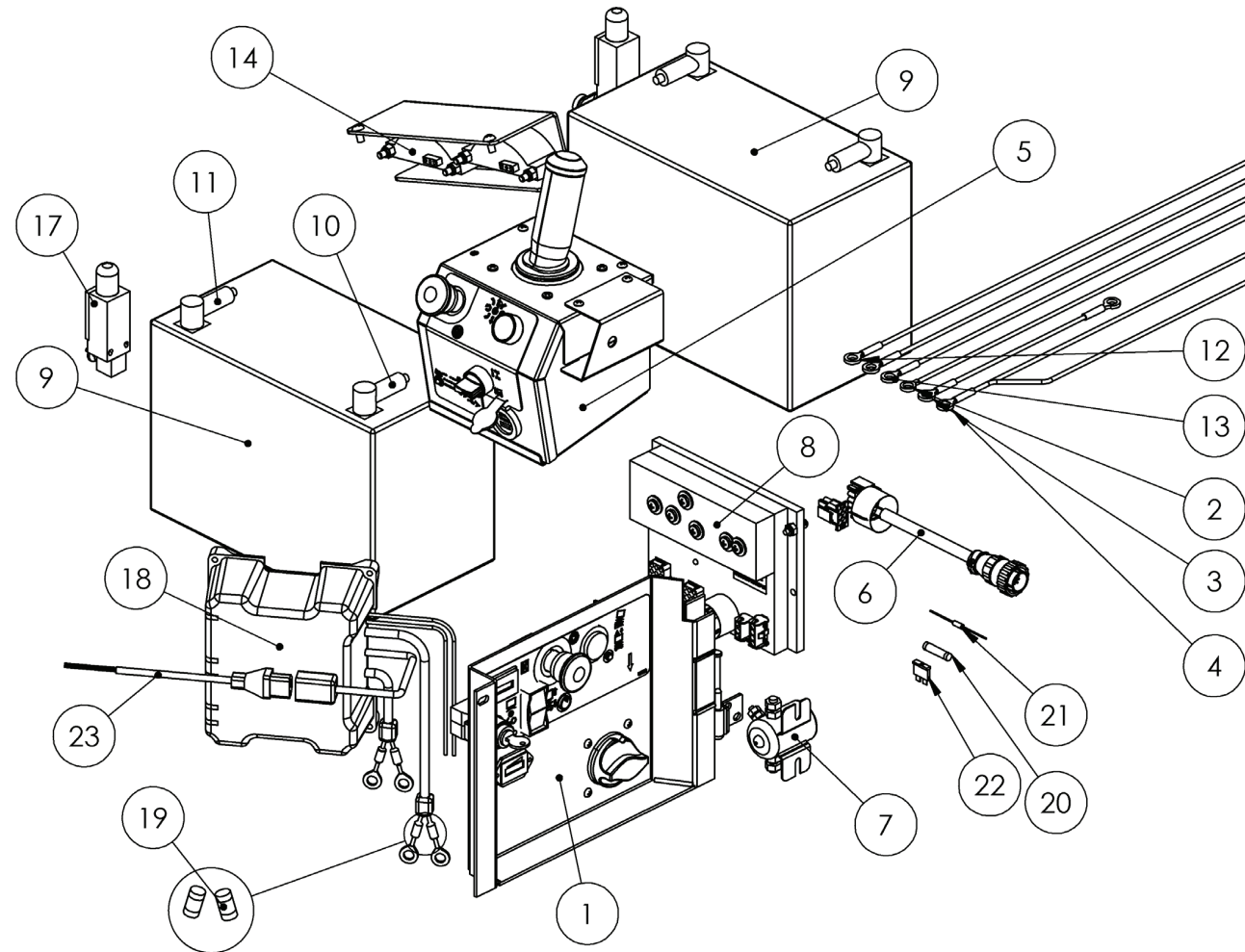


FIGURE 10: HB-1230 Misc Parts

Item #	Part Number	Part Description	Notes	Qty	Superseded By
1	129-01-232-02	BASE,SCISSORS LOCK		2	
2	HARD-067	SNAP BUTTON,0.38 SINGLE END		2	
3	HARD-651	RING,1.4 ID		1	
4	LAS-M100-E-PC	BASE,ACCESS STEP		1	
5	MISC-030-01-KIT	ANTI-SLIP TAPE,1, 13.75 LENGTH		1	
6	129-05-211-01	BASE,COVER WLDMNT L		1	
7	129-05-210-01	BASE,COVER WLDMNT R		1	
8	129-01-357-06	BASE,INSIDE COVER WLDMNT,R		1	
9	129-01-357-11	BASE,INSIDE COVER WLDMNT,L		1	
10	129-21-252-50-K	ASM,BASE,PIVOT LOCK		1	
11	129-01-344-10	BASE,BLOCK GUIDE,R		1	
12	129-01-344-15	BASE,BLOCK GUIDE,L		1	
13	129-01-385-09	BASE,LOCK, PIVOT REAR,R		1	
14	129-01-385-14	BASE,LOCK, PIVOT REAR,L		1	
15	HARD-644-11	LOW FRICTION CABLE, 120.25/129		1	

2.1 | CONTROLS/ELECTRICAL PARTS



10	ELEC-634D	TERMINAL BOOT (BLACK)	
11	ELEC-634C	TERMINAL COVER (RED)	
12	ELEC-641C	CABLE,6GA,RED,50,B/R	
13	ELEC-641A	CABLE,6GA,BLACK,63,B/B	
14	ELEC-647	SENSOR,ANGLE	
15	WD-129-20-316-51	WD,HB-1230CE S3	WIRING DIAGRAM
16	WS-129-20-316-51	ELEC SCH,HB-1230CE S3	ELECTRICAL SCHEMATIC
17	ELEC-123-5	SWITCH,LIMIT,ROT LVR,NO/NC PO	
18	ELEC-747	CHARGER, 24VDC	
19	ELEC-670-6	FUSE 30 AMP,PCS	
20	ELEC-670-2	FUSE 20 AMP AGC	
21	ELEC-809-2	RESISTOR 1K OHM, 1 WATT	
22	ELEC-959	FUSE, 20A ATC	
23	ELEC-639-11	CORD,IEC AC WIRE/IEC C13,36.0	

FIGURE 11: HB-1230 Controls/Electrical Parts

Item #	Part Number	Part Description	Notes	Qty	Superseded By
1	129-21-307-51	ASM,CTL LWR (HBMD S3.1)			
2	ELEC-641E	CABLE,6GA,BLACK,22.00,B/B			
3	129-01-090-50	CABLE,6GA,RED,10,R/R,.38 EYES			
4	129-01-090-51	CBL,6GA,RED,42&50,R/R,.38 EYES			
5	129-21-308-51	ASM,CTL UPR ZTR			
6	129-21-311-50	CTL,WIRE HARNESS MAIN HB-1230			
7	HYDR-666	SOLENOID,24V,ISOLATED,SPST			
8	129-21-267-51	BOARD,DRIVE/LIFT CTL HB-MID			
9	ELEC-047-5	BATTERY,12V,GR27 AGM			

2.2 | MAIN CABLE SUBPARTS

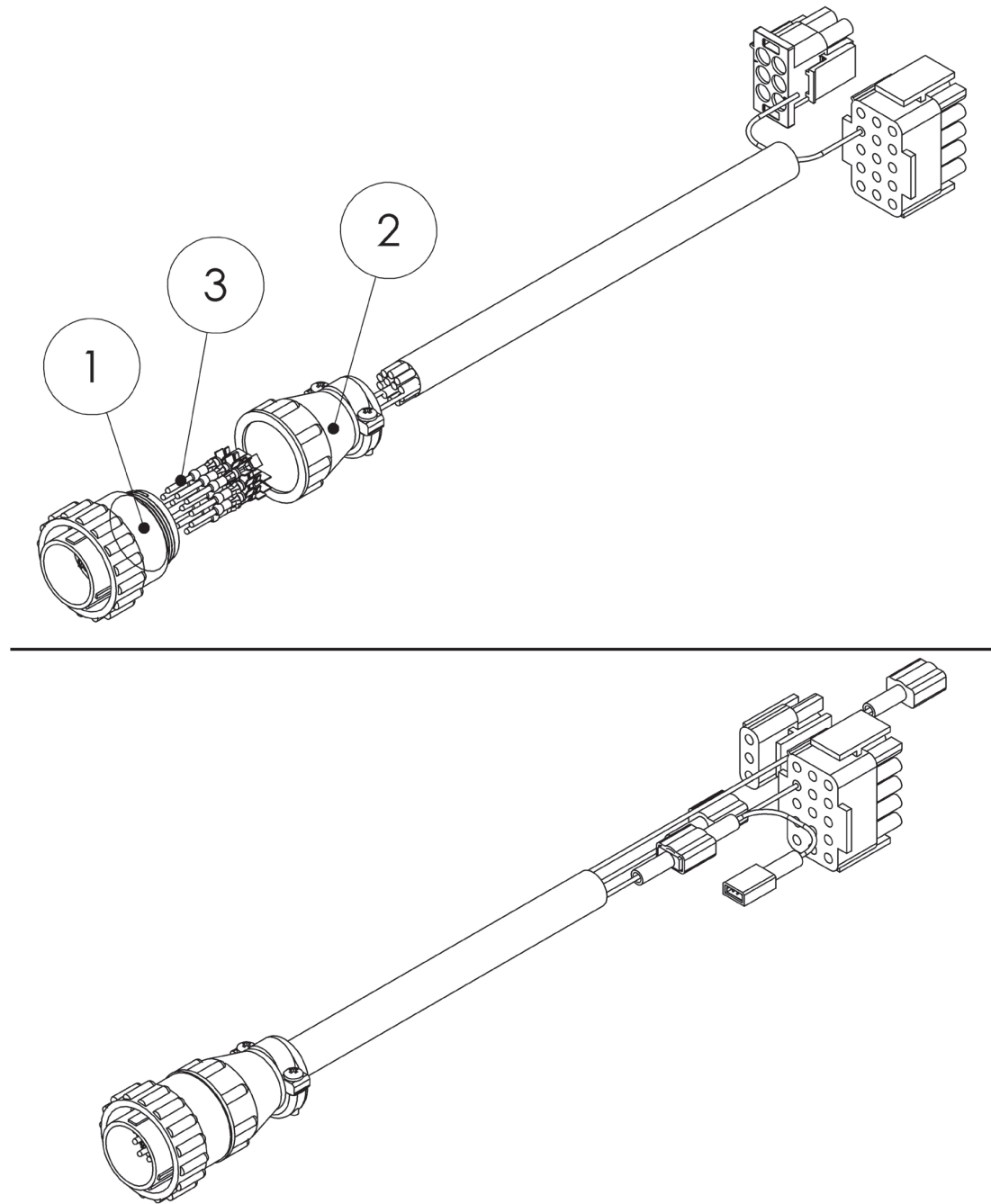


FIGURE 12: HB-1230 Main Cable Subparts

Item #	Part Number	Part Description	Notes	Qty	Superseded By
1	ELEC-749	CONN,CPC,PLUG,14 POS		1	
2	ELEC-750	CABLE CLAMP,CPC,BACK SHELL		1	
3	ELEC-752	CONTACT PIN,CPC,14-18GA TIN		12	

2.3 | UPPER CONTROL PARTS

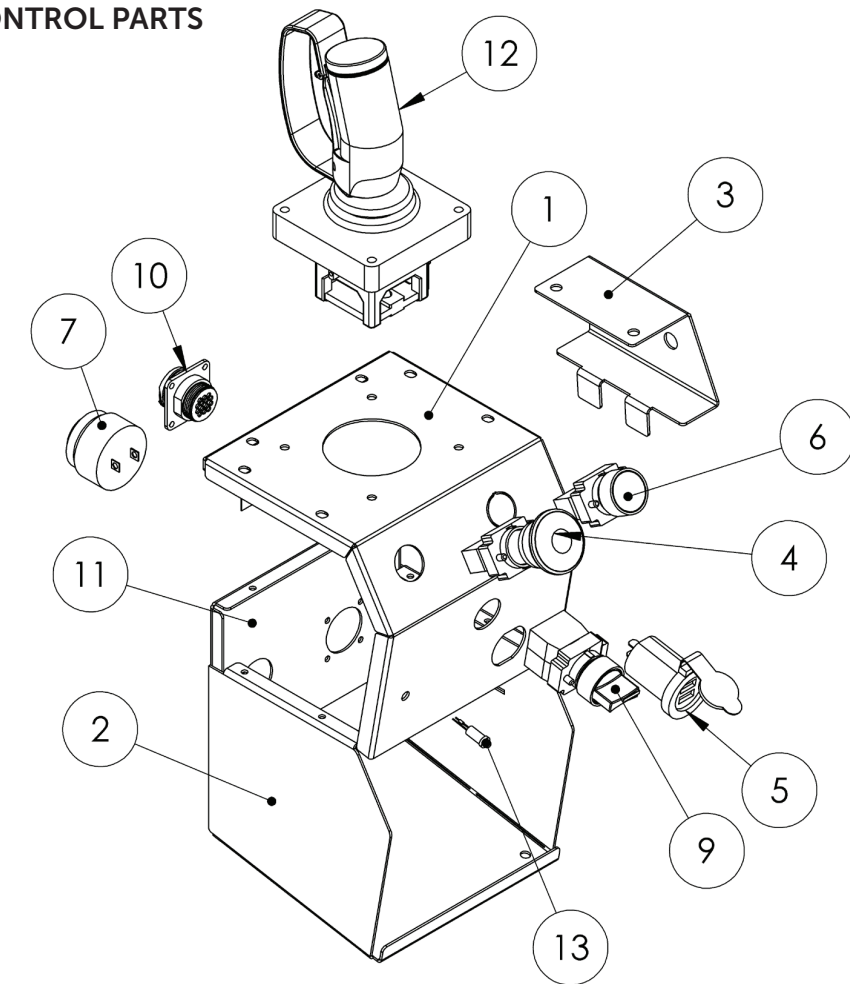


FIGURE 13: HB-1230 Upper Control Parts

Item #	Part Number	Part Description	Notes	Qty	Superseded By
1	112-03-304-01	RAIL,CTL UPR PANEL		1	
2	112-03-303-01	RAIL,CTL BOX LWR		1	
3	129-03-104-01	RAIL,CTL MNT CHNL		1	
4	ELEC-071-KIT	BUTTON,PUSH/PULL RED E-STOP		1	
5	ELEC-892	POWER PORT,USB 12/24V		1	
6	ELEC-604	BUTTON,PUSH BLACK		1	
7	ELEC-635-4	ALARM, CONTINUOUS		1	
8	WD-129-21-308-51	WD,UPR CTL HB-1230CE S3	WIRING DIAGRAM	1	
9	ELEC-002C-KIT	SWITCH,ROTARY MAINTAINED		1	
10	129-21-309-50	CTL,WIRE HARNESS,UPR CTL		1	
11	112-03-305-01	RAIL,CTL BOX BACK PANEL		1	
12	ELEC-609	JOYSTICK,MULTI-AXIS W/GUARD		1	
13	ELEC-636	LED, RED		1	

2.4 | LOWER CONTROL PARTS

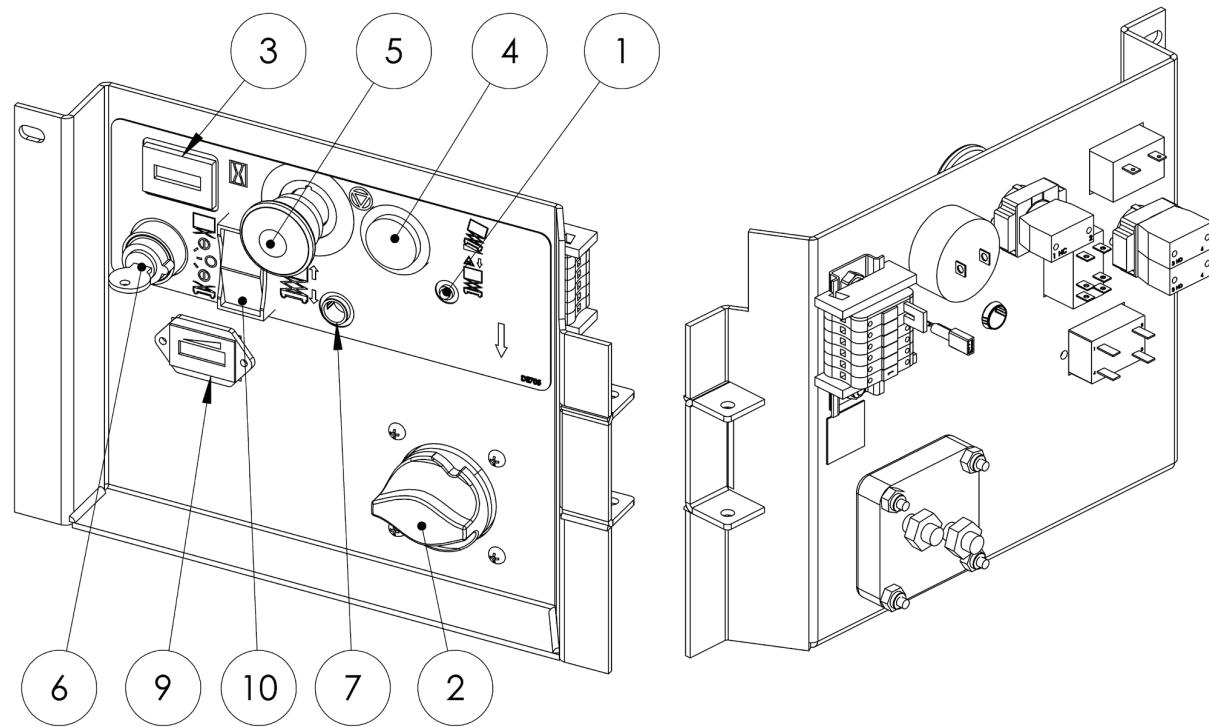


FIGURE 14: HB-1230 Lower Control Parts

Item #	Part Number	Part Description	Notes	Qty	Superseded By
1	ELEC-636	LED, RED			
2	ELEC-633-4	SWITCH,MASTER DISCONNECT			
3	ELEC-610-2	METER,HOUR			
4	ELEC-635-4	ALARM, CONTINUOUS			
5	ELEC-071-KIT	BUTTON,PUSH/PULL RED E-STOP			
6	ELEC-073D-KIT	SWITCH,KEY,3-POS MAINTAINED			
7	HARD-692	PLUG,0.50 DIA,TRANSPARENT			
8	WD-129-21-307-51	WD,LWR CTL HB-1230CE S3	WIRING DIAGRAM		
9	ELEC-610-4	METER,VOLT,24V			
10	ELEC-133B	SWITCH,ROCKER DPDT			

2.5 | MASTER POWER SWITCH SUBPARTS

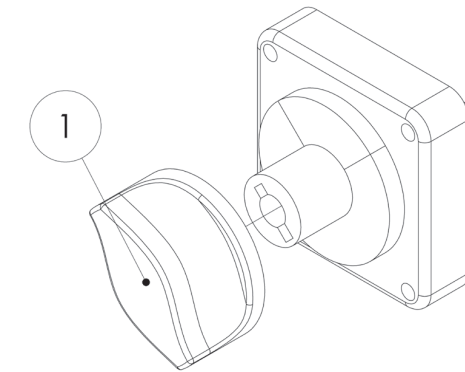


FIGURE 15: HB-1230 Master Power Switch Subparts

Item #	Part Number	Part Description	Notes	Qty	Superseded By
1	ELEC-633-5	SWITCH KNOB,MASTER DISCONNECT		1	

2.6 | KEY SWITCH SUBPARTS

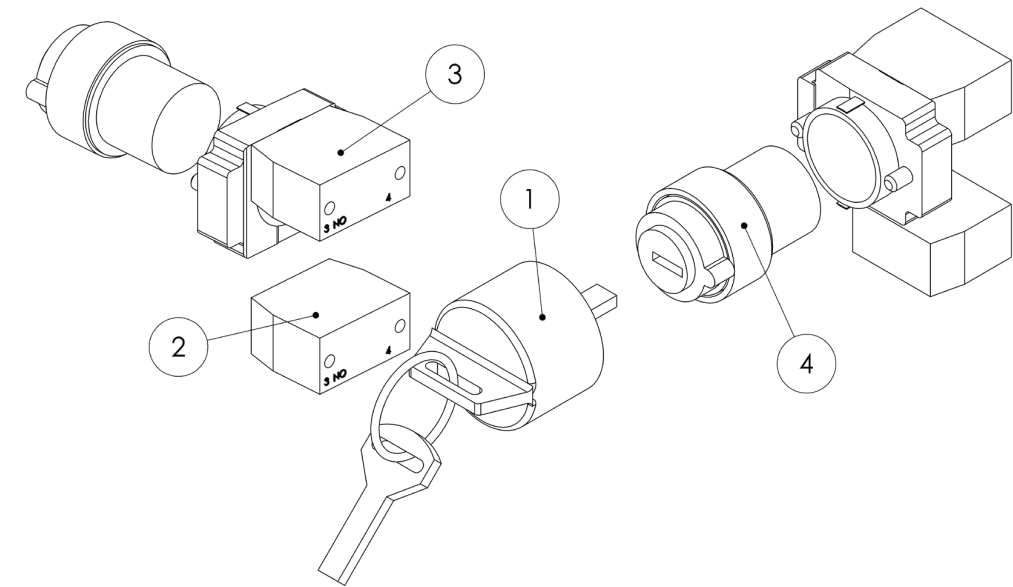


FIGURE 16: HB-1230 Key Switch Subparts

Item #	Part Number	Part Description	Notes	Qty	Superseded By
1	ELEC-073EKEY	KEY,SPARE		1	
2	ELEC-603	CONTACT BLOCK,NO		1	
3	ELEC-871-KIT	CONTACT BLOCK,NO W/BASE		1	
4	ELEC-073D	SWITCH,KEY,3-POS MAINTAINED		1	

2.7 | E-STOP SWITCH SUBPARTS

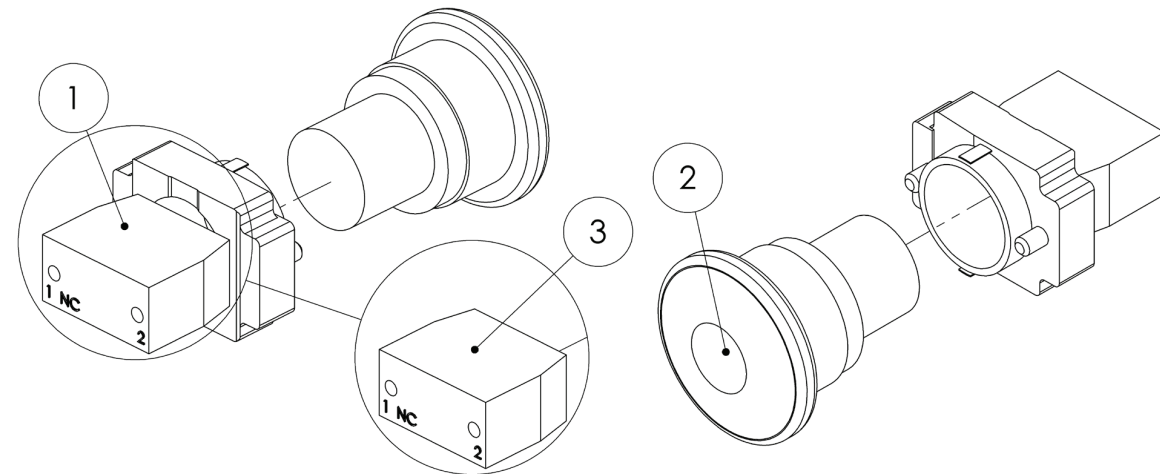


FIGURE 17: HB-1230 E-Stop Switch Subparts

Item #	Part Number	Part Description	Notes	Qty	Superseded By
1	ELEC-872-KIT	CONTACT BLOCK,NC W/BASE		1	
2	ELEC-071	BUTTON,PUSH/PULL RED E-STOP		1	
3	ELEC-072	CONTACT BLOCK,NC		1	

2.8 | SELECTOR SWITCH SUBPARTS

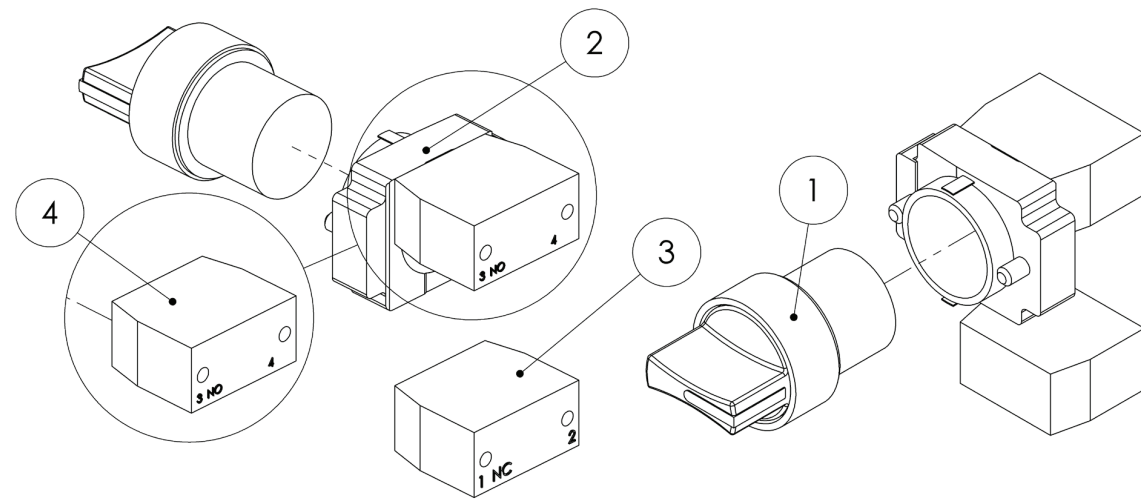


FIGURE 18: HB-1230 Selector Switch Subparts

Item #	Part Number	Part Description	Notes	Qty	Superseded By
1	ELEC-002C	SWITCH,ROTARY,MAINTAINED		1	
2	ELEC-871-KIT	CONTACT BLOCK,NO W/BASE		1	
3	ELEC-072	CONTACT BLOCK,NC		1	
4	ELEC-603	CONTACT BLOCK,NO		1	

2.9 | HORN BUTTON SUBPARTS

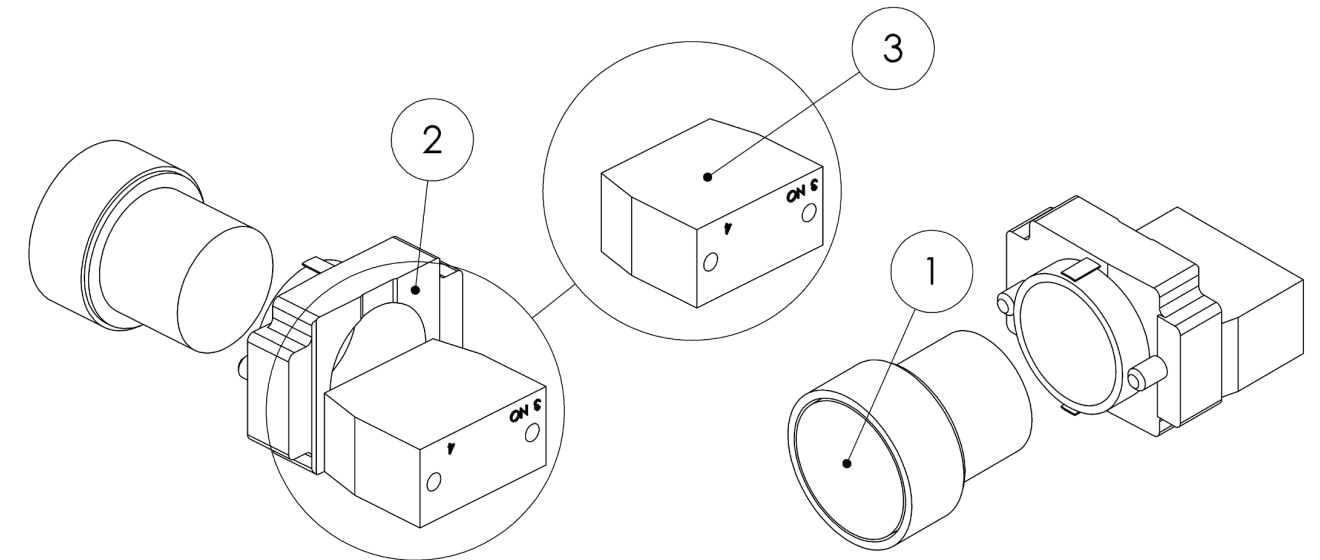
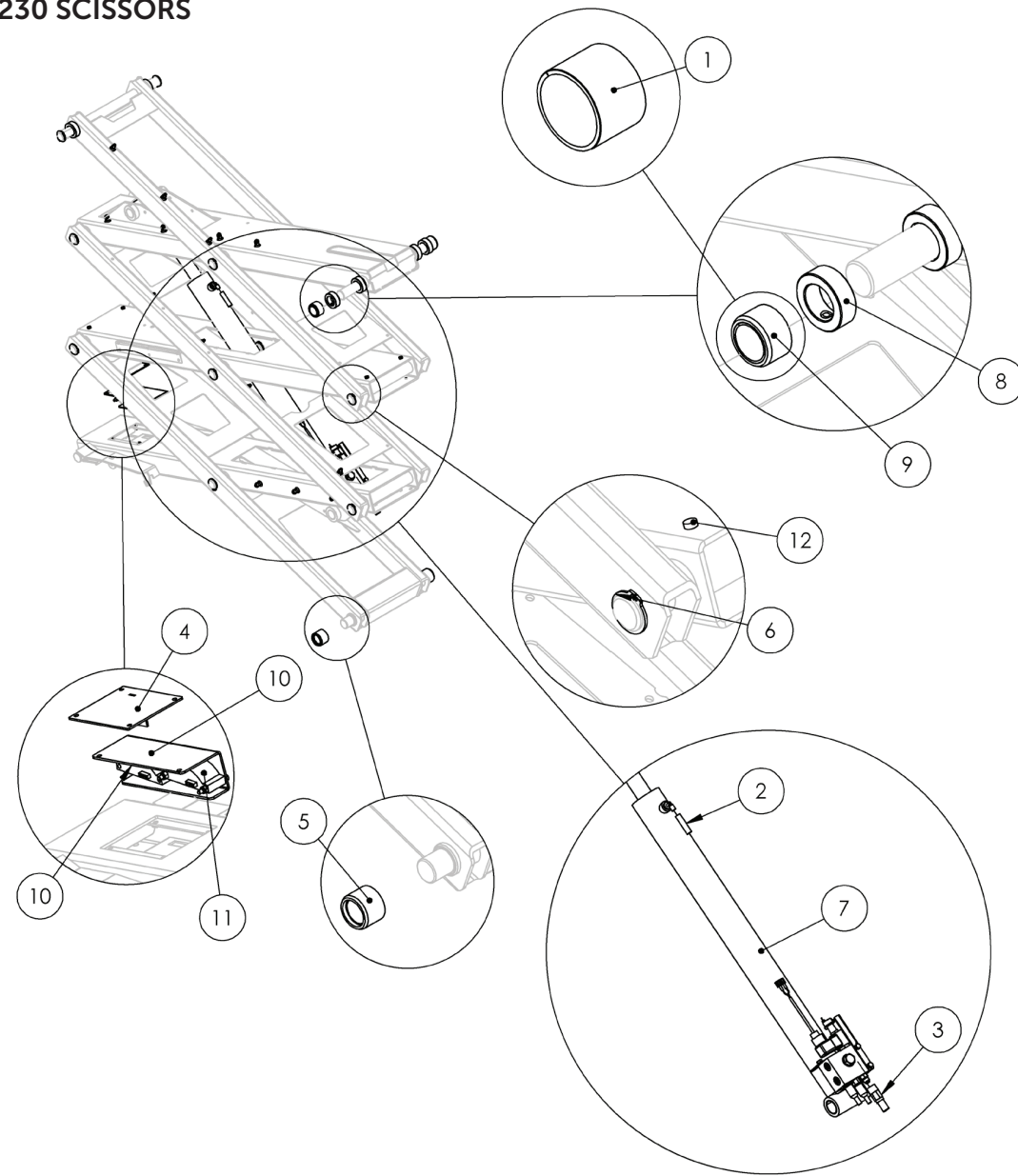


FIGURE 19: Horn Button Subparts

Item #	Part Number	Part Description	Notes	Qty	Superseded By
1	ELEC-604	BUTTON,PUSH BLACK		1	
2	ELEC-871-KIT	CONTACT BLOCK,NO W/BASE		1	
3	ELEC-603	CONTACT BLOCK,NO		1	

3.1 | HB-1230 SCISSORS

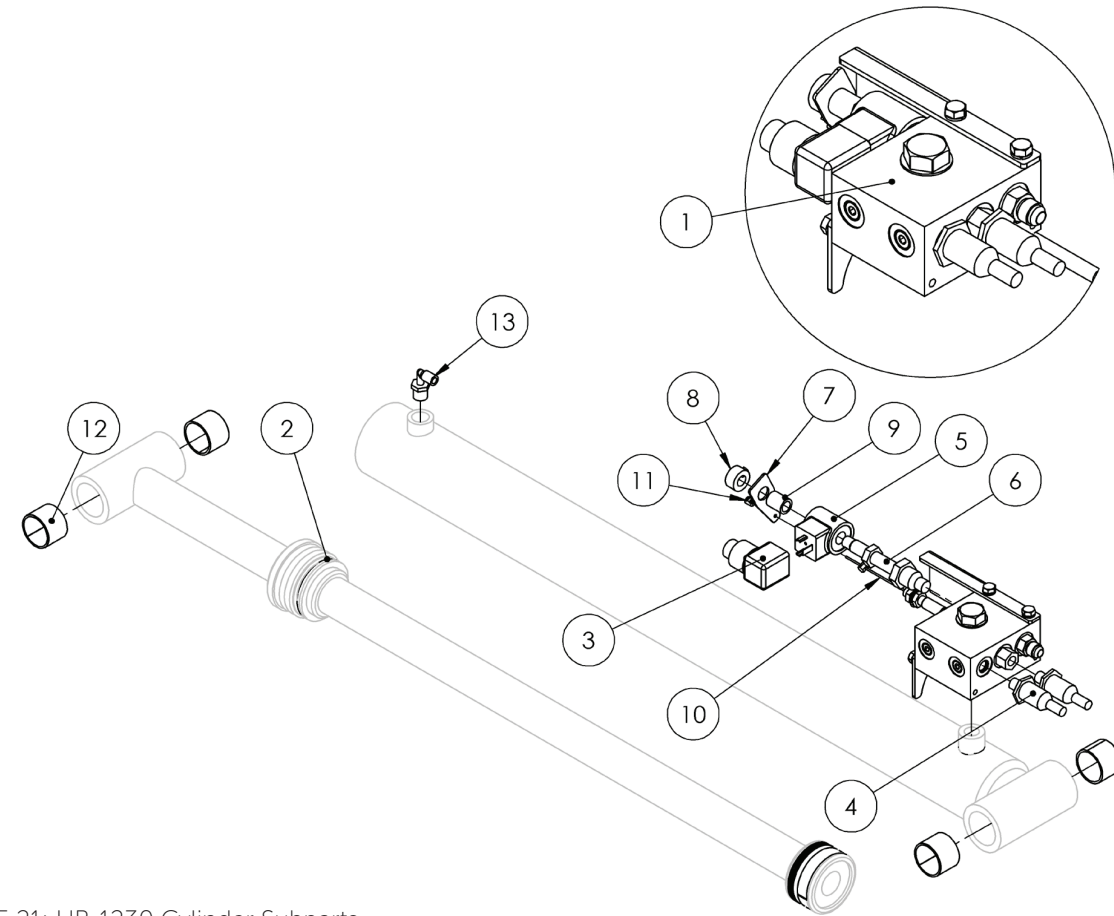


5	129-21-009-50-K	ASM,ROLLER,1.25 W/DU	2
6	HARD-022	1.25 RETAINING RING,EXT	18
7	129-21-316-51-K	ASM,CYL HB-1230-CE-S3	1
8	1021000102	SET COLLAR,1.25 ID	6
9	BM-6006-1-KIT	ASM,ROLLER,1.00 W/DU	2
10	129-02-202-01	SCISSOR, ANG SENSOR MNT	1
11	ELEC-647	SENSOR,ANGLE	2
12	HARD-694	.28 PUSH-IN BUMPER	8

FIGURE 20: HB-1230 Scissors

Item #	Part Number	Part Description	Notes	Qty	Superseded By
1	HARD-001	1.25X1.00 SLEEVE BEARING,PTFE		1	
2	HYDR-022-3	LOW PRESSURE HOSE	Quantity in inches	132	
3	HYDR-600	HOSE ASM,HB-2X		1	
4	129-02-283-01	SCISSOR,ACCESS PNL WLDMNT		1	

3.2 | HB-1230 CYLINDER SUBPARTS



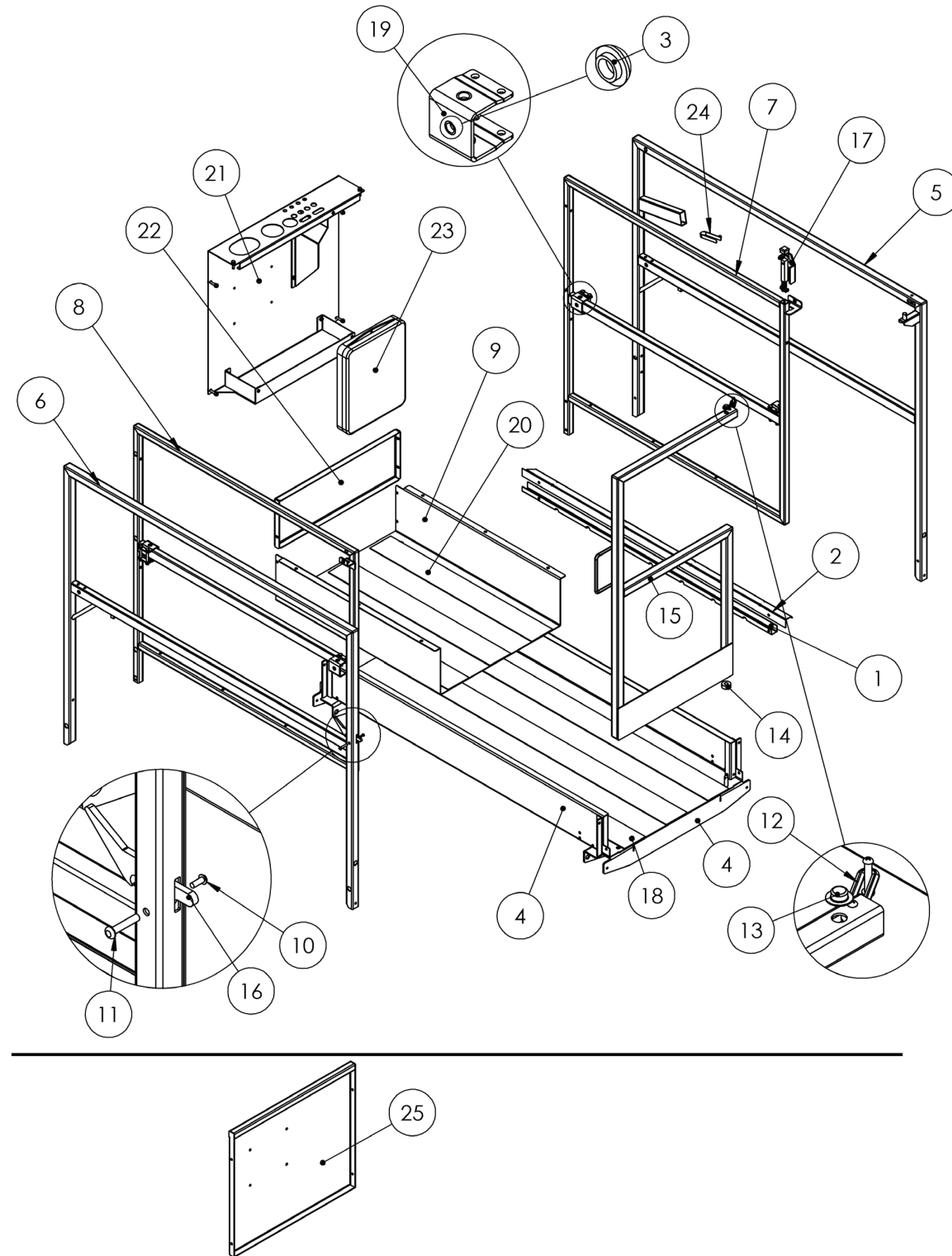
THIS PAGE WAS INTENTIONALLY LEFT BLANK

FIGURE 21: HB-1230 Cylinder Subparts

Item #	Part Number	Part Description	Notes	Qty	Superseded By
1	129-21-313-51-K	ASM,SCISSOR CYL BLK HB-1230CE		1	
2	HYDR-012-SK	CYL,SEAL KIT 2.5 B,1.5 R		1	
3	HYDR-044-FL3	HIRSCHMANN CONNECTOR		1	
4	ELEC-648	SENSOR,PRESSURE		2	
5	HYDR-007-2E-4	COIL,24V,HC		1	
6	HYDR-007-2E-5	VALVE,NC,2W/2P,#8,DWN,PULL,DEL		1	
7	LAS-M115	SCISSOR,PLATE E-DOWN ACT		1	
8	HARD-650	0.44X0.88X0.44 SHAFT COLLAR		1	
9	HARD-621	038X0.63X075 SLEEVE BEARING		1	
10	HARD-644-11	120.25/129 LOW FRICTION CABLE		1	
11	HARD-900	SLEEVE,CABLE STOP 0.09		1	
12	HARD-001	1.25X1.00 SLEEVE BEARING,PTFE		4	
13	HYDR-019	FITTING,ELB,NPTM 3/8-1/4 PUSH		1	

SECTION 4 | PLATFORM & RAILS

4.1 | PLATFORM & RAILS



Item #	Part Number	Part Description	Notes	Qty	Superseded By
1	129-04-205-01	PF,CONDUIT CHANNEL LOWER		1	
2	129-04-206-01	PF,CONDUIT CHANNEL UPPER		1	
3	HARD-626	0.38X0.50X0.19 SLD WASH,NYL W		1	
4	129-04-201-01	PF,WLDMNT		1	
5	129-03-209-01	RAIL,WC R		1	
6	129-03-203-01	RAIL,WC L		1	
7	129-03-212-01	RAIL,SO R		1	
8	129-03-214-01	RAIL,SO L		1	
9	129-03-208-01	RAIL, SO FLOOR BOLT-ON		1	
10	SCREW-1100	10-24 X 0.50 PAN HEAD SCRW		3	
11	HARD-649	0.25 X 1.25 BARREL SCRW,10-24		3	
12	HARD-606-2	ORING,0.25 X 5		1	
13	HARD-656-1	QUICK NUT-1/2 ROD		1	
14	143-04-007-04	SPACER,.5ID,1.25OD, 0.5 THK		1	
15	129-03-222-01	RAIL,GATE		1	
16	1000307601	RAIL,GATE LATCH		1	
17	1002100692-KIT	ASM,RAIL SLIDE LOCK		1	
18	MISC-031-11-KIT	ANTI-SLIP TAPE,4.00,54.00 LENG		3	
19	LAS-M078-1-KIT	ASM,RAIL SLIDE CHNL W/WASHERS		4	
20	MISC-031-01-KIT	ANTI-SLIP TAPE,4.00,31.00 LENG		3	
21	129-21-321-50-K	ASM,RAIL TOOL TRAY		1	
22	129-03-211-01	RAIL, SO TOE BOARD		1	
23	HARD-603	MANUAL BOX		1	
24	HARD-067	0.38SNAP BUTTON,SINGLE END		1	
25	129-03-206-01	RAIL,SO END WLDMNT	Superseded; STANDARD YELLOW	0	129-21-321-50-K
25	129-03-206-20	RAIL,SO END WLDMNT,GRN	Superseded; GREEN	0	129-21-321-52-K

FIGURE 22: Platform And Rails

5.1 | HB-1230 DECALS

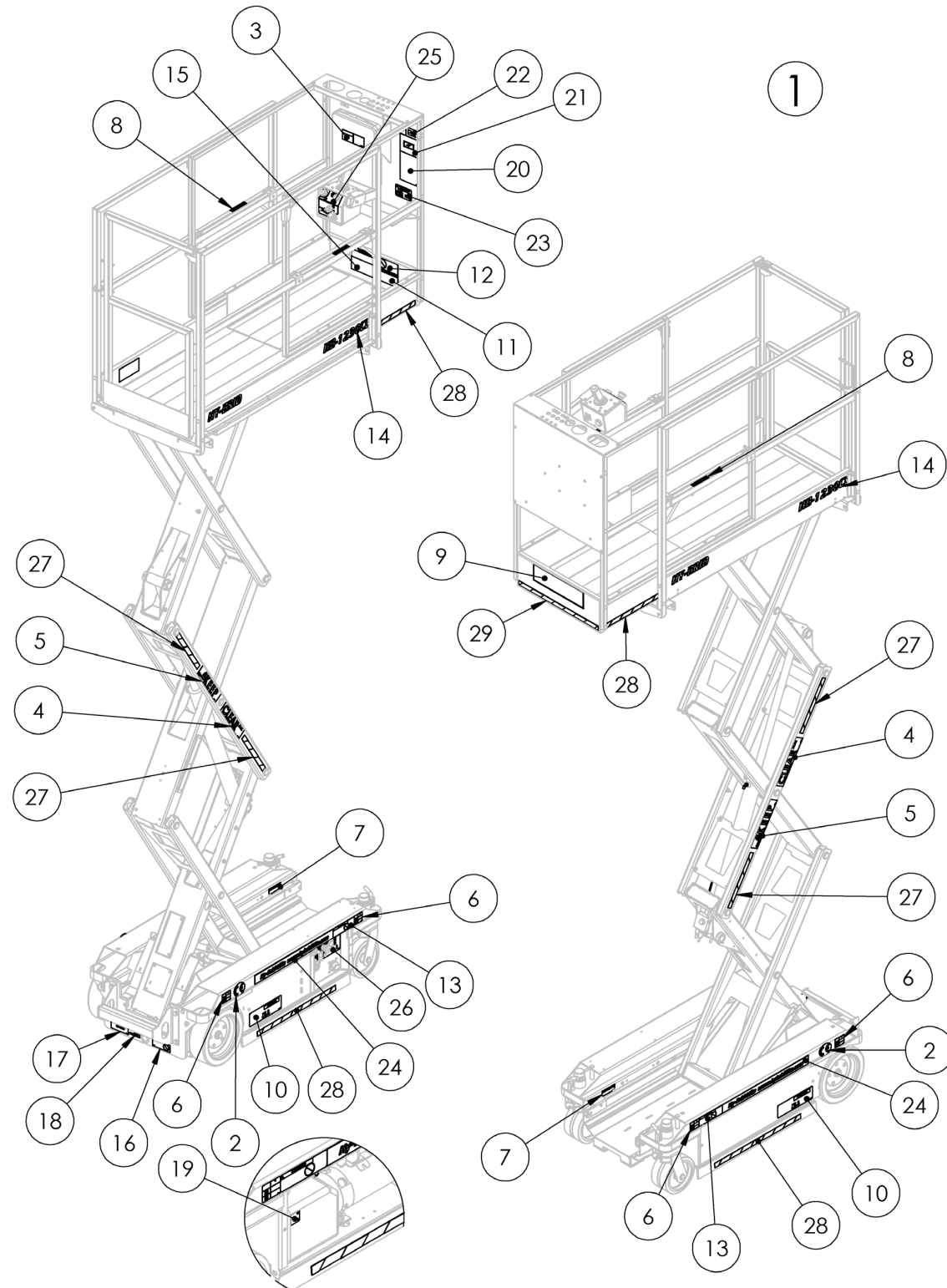
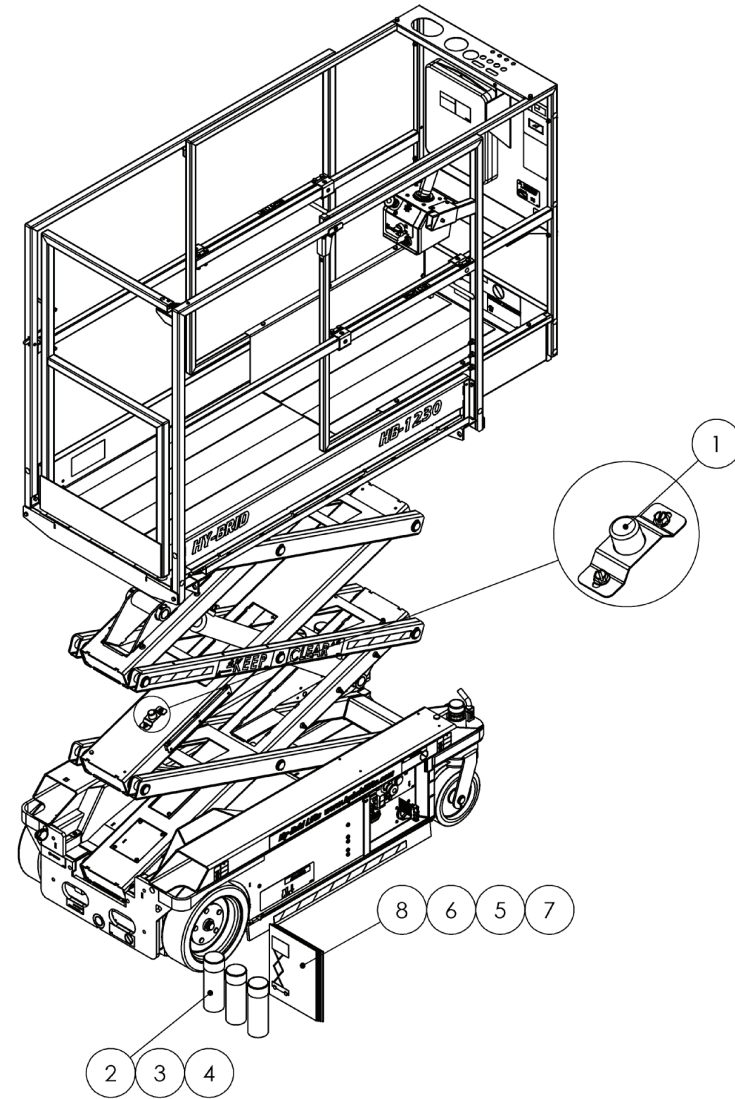


FIGURE 23: HB-1230 Decal Parts

Item #	Part Number	Part Description	Notes	Qty	Superseded By
1	129-21-312-51-K	DECALS,HB-1230 S3 CE	KIT	1	
2	DE718	DECAL,CE		2	
3	DE600E-10	DECAL,MANUAL BOX		1	
4	DE708	DECAL,CLEAR		2	
5	DE707	DECAL,KEEP		2	
6	DE784	DECAL,WHEEL LOAD HB-1230CE S3		4	
7	DE600E-14	DECAL,MAINT LOCK		2	
8	DE746	DECAL,LANYARD ATTACHMENT		2	
9	DE821	DECAL,LOGO HY-BRID		1	
10	DE709	DECAL, LWR		2	
11	DE706	DECAL,UPR HB		1	
12	DE719	DECAL,CASTERLOCK		1	
13	DE721	DECAL,CASTERLOCK		2	
14	DE603-16	MODEL# DECAL-HB-1230CE		2	
15	DE750	DECAL,CAPACITY,550#,1P,I,W/SO		2	
16	DE747	DECAL,BRAKE RELEASE/NO TOW		1	
17	DE751	DECAL,E-DOWN CABLE		1	
18	DE752	DECAL,CHARGER CORD (EU)		1	
19	DE679	DECAL,HYDR FLUID		1	
20	DE756	DECAL,ERROR ALARMS CE		1	
21	DE777	DECAL,BATT CHARGE DAILY		1	
22	DE782	DECAL,MADE IN USA		1	
23	DE649	DECAL,CAPACITY, TOOL TRAY		1	
24	DE822	DECAL,WEBSITE		2	
25	DE783	DECAL,CTL UPR ZTR CE		1	
26	DE705	DECAL,CTL LWR CE ZTR-MID		1	
27	DE717-62	DECAL,SAFETY STRIPE (12.00)		4	
28	DE717-61	DECAL,SAFETY STRIPE (24.00)		4	
29	DE717-63	DECAL,SAFETY STRIPE (22.25)		1	

6.1 | HB-1230 OPTIONS & MISCELLANEOUS PARTS



THIS PAGE WAS INTENTIONALLY LEFT BLANK

FIGURE 24: HB-1230 Options & Misc Parts

Item #	Part Number	Part Description	Notes	Qty	Superseded By
1	129-21-335-50-K	BEACON,FLASHING(AMBER) HBMD S3		1	
2	MISC-624	PAINT,WHITE TOUCH-UP SPRAY		1	
3	MISC-625	PAINT,YELLOW TOUCH-UP SPRAY		1	
4	MISC-627	PAINT,GREEN TOUCH-UP SPRAY		1	
5	SUPO-716	MANUAL,OP HB-1230CE S3		1	
6	SUPO-716DUT	MANUAL,OP HB-1230CE S3	Dutch language	1	
7	SUPO-717	MANUAL,MAINT HB-1230CE S3		1	
8	SUPO-717DUT	MANUAL,MAINT HB-1230CE S3	Dutch language	1	

HY-BRID LIFTS™

BY CUSTOM EQUIPMENT LLC

Self-Propelled Aerial Work Platform
Parts Manual
HB-1230CE
Series III

© 2017 Custom Equipment, LLC
2647 Highway 175
Richfield, WI 53076
U.S.A.
Tel. +1-262-644-1300
Fax: +1-262-644-1320
www.hybridlifts.com
Service@Customequipmentlifts.com

"Hy-Brid Lifts" is a trademark of Custom Equipment, LLC.
These machines comply with specified EN280 requirements

Revision Date: August 2017

Printed In The USA